

Important Operating Instructions and Warranty Information On Your New Electronic AMSEC Safe

MODELS:
EST914 & EST1814

Read Contents Carefully For Trouble-Free Operation of Your Safe

Dear Valued Customer:

Congratulations on your purchase of the finest safe from American Security Products, Co.

You've taken an important step in organizing and protecting your most valued possessions. Every AMSEC safe is professionally hand-crafted and designed to provide a lifetime of trouble-free performance.

AMSEC offers the industry's finest warranty backed by a nationwide network of highly skilled authorized dealers, providing prompt, courteous, and professional service. We suggest that you read the Limited Warranty thoroughly, and invite you to contact your authorized AMSEC dealer or AMSEC's Service Department if you have any questions.

Please also take the time to read and familiarize yourself with the proper operating procedures of your new safe presented on the following pages.

Again, Congratulations and Thank You for selecting AMSEC!

If you like us to send AMSEC Safe information to a friend or have any questions concerning our complete line of security products, please send your request to:



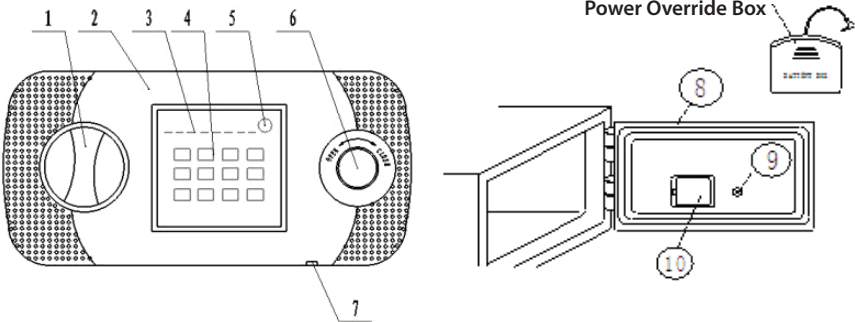
**AMERICAN SECURITY
PRODUCTS COMPANY**
11925 Pacific Ave
Fontana, CA 92337

Visit us on the web at:
www.amsecusa.com

Each AMSEC safe is professionally hand-crafted with quality materials and is equipped with a precision-quality, digital lock. To become familiar with the lock, operate the lock (as outlined below) several times before closing the door and locking the safe.

OPERATION INSTRUCTIONS:

- Don't slam the door. Extreme shock can damage the lock or jam the boltwork.
- Don't shut the door with the boltwork in the locked position. Damage to the boltwork and marring the safe's finish may result.
- Don't stack contents of the safe so that the door must be forced shut. Jamming of the boltwork may result.
- Don't store the combination card inside the safe.
- Don't use oil, grease or any other lubricant on the digital lock.
- Keep all moving parts clean and free from obstruction, water and grease.
- If you experience a difference in the feel of the operation, inconsistency or difficulty opening or operating the safe, **DO NOT LOCK THE SAFE**. Immediately contact the security store from whom you purchased the safe. If this is not practical, contact the AMSEC service department at 951-685-9680, Ext. 1036.



1-Knob, 2-Panel, 3-LCD display, 4-Keypad, 5-Time, 6-Emergency Override, 7-External Battery Plug, 8-Door, 9-Reset button/combination, 10-Internal Battery Compartment

KEEP THE EXTERNAL BATTERY BOX IN A SAFE PLACE BUT NOT IN THE SAFE!

Operating Your Safe

INITIAL SETUP

Install four (4) AA batteries into the power override box and plug connector into the jack on the bottom, right-hand edge of the safe's LCD screen. When connected, you will hear several confirmation tones followed by a 'melody' as the safe initializes, followed by an 'All Ready' word prompt once this is complete. At this point the LCD display should show:

Battery Indicator, Year/Month/Day, Week and Time.

Press **#1234#** (personal code) or **#123456#** (administrator code) to unlock safe (the # key awakens the screen from 'sleep' mode). Upon entering the code successfully the LCD screen will turn blue and display **"OPEN."** You will now have **5 seconds** to turn Knob to open safe door before the action times out and relocks. If this happens re-enter either of the above codes, remembering to turn the knob within **5 seconds**.

Before proceeding any further, disconnect breakout box from the front of safe and either remove the batteries from the breakout box to be used in the battery box on the inside of the safe's door, or alternatively, use 4 additional AA batteries. Once the breakout box is disconnected and the new batteries are in place, power-up sequence will be repeated.

SETTING THE DATE

The time, date, etc., can all be set regardless of whether the safe's door is open or closed. The date format for the safe is based upon the European standard of **YEAR/MONTH/DAY**. To set the date, first press * and then press **0** to descend or **8** to ascend. You will have **6 seconds** to make an entry between fields or the operation will be canceled. If this happens press the * key to again enter time/date mode, skipping to the last field of entry using the #. Once the desired year value is reached, press the # to move to the next field, again using **0** or **8** to reach the desired month, day and so on.

Once the day is entered, pressing the # will move to the time field. It's important to note the time is displayed in military time, meaning any hour after 12:59 p.m. continues up to the next number sequence, like so: 13:00 (1 p.m.), 14:42 (2:42 p.m.), and so on, up to 23:59 (11:59 p.m.) with Midnight being 00:00. Thus the time will need to be set accordingly.

QUICK REFERENCE: To quickly compute military time, simply add 12 to any hour after 1 p.m. and up to 11:59 p.m. (minutes always stay the same). From Midnight to 12:59 p.m., hours remain the same.

The last field, week, is the day of the week, 1 – 7, where 1 represents Monday, 2, Tuesday, and so on. You can choose what day will begin the start of the week.

PERSONAL/ADMINISTRATOR CODES

The personal code #**1234#** and the administrator code #**123456#** are set up before leaving the factory. For your protection and security, it is recommended that these generic codes be changed to something familiar and easily remembered, and known only by the Administrator or owner.

Administrator and personal codes must be entered before creating or changing **ANY** codes. A personal code simply is a code set up and given out by the administrator to allow another user limited access.

IMPORTANT NOTE: The administrator has the ability to view an "Open Door" record, which will display the time, date and code of the last person accessing the safe (more about this later).

ALWAYS KEEP A HARD COPY OF PASSCODES -- BUT NOT IN THE SAFE!

DOOR MECHANISM

STEP 1 - OPENING THE SAFE

- 1 Press the # key.
- 2 Enter user code (Factory Personal Code is: 1-2-3-4) (Factory Administrator Code is: 1-2-3-4-5-6)
- 3 Press the # key.
- 4 The LCD display will turn Blue and show Open.
- 5 Turn the Knob clockwise (Right) and open door.
- 6 If the wrong user code is entered the display will show "Error". If the wrong code is entered 3 times consecutively, an alarm will sound for 1 minute unless the correct code is entered.
- 7 If you do not want your personal code shown on the LCD display press the # key followed by the * key. The LCD display will turn Blue. This function will be cancelled after each opening.

NOTE: Lock can store 2 user codes.

STEP 2 - CHANGING THE USER CODE

- 1 Open the safe by following step 1.
- 2 While the screen is still blue, press the * key.
- 3 Enter your new user code (1-8 digits).
- 4 Press the # key.
- 5 The LCD display will turn Blue and show INTO.
- 6 Your new user code is now set to open the safe.
- 7 If you forget your new code, press the red reset button (9) on the back door to restore the personal and administrator codes back to the original factory codes.

NOTE: It is highly recommended to leave the safe door open and practice your new code several times before closing the door.

Each time the door is opened or closed, and the Knob is left in the 'unlock' position, the door will remain unlocked until the Knob is turned to the 'lock' position.

If a code is successfully entered (confirmed in the display by the words "OPEN") but the Knob is not turned, the operation will time out in **5 seconds** and the safe will remain locked. The code will again have to be entered and the Knob subsequently turned within **5 seconds** to gain access to the safe. **If the Knob is turned to the 'lock' position while the door is open, you will have to re-enter your code to close the door.**

CONCEALING YOUR CODE:

Your code may be hidden from view by others. Press # then * then your code #. The display will only show 0 each time a number button is pressed.

NOTE: This must be done each time you enter your code to prevent the actual number from appearing on the display as you enter your code.

TAMPER ALARM:

You may set a Tamper Alarm that will sound if anyone attempts to move or attack the safe.

In the sleep mode, Press **0** on the key pad. The key pad display will show **BELL ON**. To turn alarm off, enter # the current code, and then # . If no code is entered to clear an alarm, the alarm will clear after 1 minute.

OPEN DOOR RECORD QUERY

At any time you can view the time the safe was accessed, in addition to, who accessed it. The personal code is "PASS1" and the administrator is "PASS2."

To access the records, enter either code to open the door. When "OPEN" disappears from the display, but while the blue backlight is still on, press **0**. The screen will first show the date then the time the safe was accessed followed by the code used to access it.

You can view up to 14 past entries. To do this, press **0** when the display screen shows "PASS1" or "PASS2." It will show open door records for the last 14 times the safe was accessed and by which code. Example: ###-###-## = Date, ###-## = Time

EMERGENCY OPENING / EMERGENCY BYPASS KEY:

- 1 There is a key lock located under the Emergency Override Cover (6). Press and turn the Emergency Override Cover to the open position. Cover will pop out.
- 2 Insert the tubular key provided with the safe and turn clockwise (right).
- 3 Turn the Knob or Handle clockwise (Right) and open door.

NOTE: If the keys are lost, the key number is stamped on the key and on the front of the cylinder. Make sure to log the key number with your personal combination and store in a safe place.

BATTERY OVERRIDE:

- 1 If the LCD display reads "Lo-BATTE" when opening the safe, it means the batteries are low and should be replaced. The battery tab will also decrease.
- 2 With the safe open slide the battery cover (10) (located on the back of the safe door) to the left and remove.
- 3 Replace the batteries with a good brand of Alkaline battery. The LCD display will turn Blue and show GOOD. Be sure and place the (+) end of the battery in each position of the base as indicated by the symbol.
- 4 Once the batteries are removed, the user code will default back to original factory code (1,2,3,4) if not replaced within 10 minutes. Reset the user code as stated under Enrolling procedures.
- 5 If batteries are drained and will not power up the lock, install 4 new AA (1.5 volt) batteries into the "Power Override Box" supplied with the safe.
- 6 Plug the Power Override Jack into the Power Override Port located on the bottom of the keypad.
- 7 Open the safe by following Step 1 and install new batteries as instructed above.

CAUTION FIRE SAFE CONTENT STORAGE

A fire safe contains insulation material, which may cause humidity to be present when closed extended periods of time. It is recommended that the safe is opened on a regular basis and interior allowed to air out. It is also recommended that documents sensitive to moisture be kept in a sealed container, I.E Ziplock® or Tupperware®.

MAINTENANCE

Standard Textured finish: Your safe is provided with a durable paint that may be easily cleaned with a mild detergent and a soft cloth. Do Not use abrasive scouring pads or any chemical fluids, which may react and damage the finish.

Door Operating Mechanism: The handle of the safe moves mechanical parts inside the door. After a period of use, if difficulty is experienced in operation, please contact a qualified locksmith for service.

Door Hinges: If the door becomes hard to open or emits noise, the hinges may need lubrication. Please contact a qualified locksmith for service.

Caution: AMSEC assumes no liability for finish damage due to the incorrect use of caustic lubricants.

DAMAGE CLAIMS

Freight Damage: All safes are carefully packed for shipment. The manufacturer's liability ceases when the transportation carrier accepts the shipment in good condition. The carrier's liability ceases when you sign for the merchandise. **INSPECT YOUR SHIPMENT BEFORE SIGNING THE DELIVERY RECEIPT.** Although unlikely, if damage occurs you have the option of refusing the shipment or negotiating a settlement with the carrier. To negotiate a settlement follow these steps:

1. Note the extent of the damage on the freight bill and sign your name.
2. Save all cartons and packaging materials.
3. Call the freight carrier immediately and request a damage inspection claim.

All Claims:

1. Contact your dealer immediately.
2. Claims must be filed within 15 days.
3. Claims must be accompanied by proof of purchase receipt and photographs.
4. In the event of replacement, the safe must be returned to the dealer/factory in the original packaging.



CAUTION!

Liquids can damage the keypad

Limited Product Warranty

LIMITED WARRANTY—SECURITY SAFES & ELECTRONIC PRODUCTS

Product Category

Duration of Warranty

(Beginning from date of first consumer purchase / Proof of purchase necessary)

All Safes and related components 1 Year Parts & Labor

Electronic Locks and related components 1 Year Parts & Labor

What is covered and what is not covered:

This warranty covers all defects in materials or workmanship in this product, but DOES NOT COVER:

- (1) Damage, deterioration or malfunction resulting from:
 - a. Accident, negligence, misuse, abuse, improper installation, failure to perform normal maintenance or operation to follow instructions labeled on or provided in the safe.
 - b. Any damage occurred from shipment. (Claims must be presented to the carrier)
 - c. Repair or attempted repair by anyone other than a pre-authorized AMSEC service dealer.
- (2) Any unit which has been altered or on which the serial number has been defaced, modified or removed.
- (3) Normal wear, battery replacement, any periodic maintenance or where combination lock has been changed without factory authorization.

Who may enforce the warranty:

This warranty is only enforceable by the original purchaser.

What we will pay for and what you must pay for:

AMSEC will repair or replace units covered by this warranty, without charge to the consumer for labor and materials. YOU ARE RESPONSIBLE FOR ANY INSTALLATION OR REMOVAL CHARGES AND FOR ANY SHIPPING CHARGES. State sales tax does not apply to warranty service work and will not be honored. If safe components must be shipped for warranty service, AMSEC will pay the shipping charges to any destination within the USA if the repairs are covered by the warranty. Defective parts must be returned (not repaired unless instructed) to AMSEC. If parts are not returned, the warranty invoice will be denied.

How you can get warranty service:

- (1) If your AMSEC safe requires service, contact your local authorized AMSEC dealer and the dealer will advise you of the procedures to be followed. If this is not practical, contact the AMSEC Service Department at the address on front cover or call 951-685-9680, ex. #1036.
- (2) All warranty service must have prior authorization, accompanied by proof of purchase as evidence of warranty coverage. A warranty authorization number must be obtained from AMSEC before any service work is performed. The serial number, description of product and description of problem must be supplied to AMSEC to determine warranty status before an authorization number will be assigned. Issuance of the authorization number recognizes only the existence of the problem and does not constitute an admission of liability by AMSEC. Only approved service representatives will be authorized to perform warranty service. Any service performed prior to issuance of a warranty authorization number will be subject to denial.

Limitation of Implied Warranties:

Any implied warranties, including warranties of merchantability and fitness for a particular purpose, are limited in duration to the length of this warranty.

Exclusions of Damages:

AMSEC's liability for any defective products is limited to repair or replacement of the product, at our option.

AMSEC shall not be liable for damages based upon inconvenience, loss of use, damage or loss of contents, or any other damages whether incidental, consequential or otherwise.

PURCHASE RECORD

Model #: _____

Serial #: _____

Date of Purchase: _____

Purchased From: _____

Company: _____

Address: _____

City _____ State _____ Zip Code _____

Telephone #: _____

Email Address: _____

Website: _____

RECORD YOUR COMBINATION AND KEY NUMBERS HERE

(STORE IN A SAFE PLACE)

Personal Combination:

One Two Three

Four Five Six

Seven Eight

Key Number: _____

TO OPEN

Factory Default: Push “#” key, then enter 1-2-3-4.

Push “#” key again. Turn knob to open.

TO LOCK

1. Close the door. 2. Turn knob to locked position

American Security Products Co., 11925 Pacific Ave., Fontana, CA 92337

(800)421-6142 • www.amsecusa.com