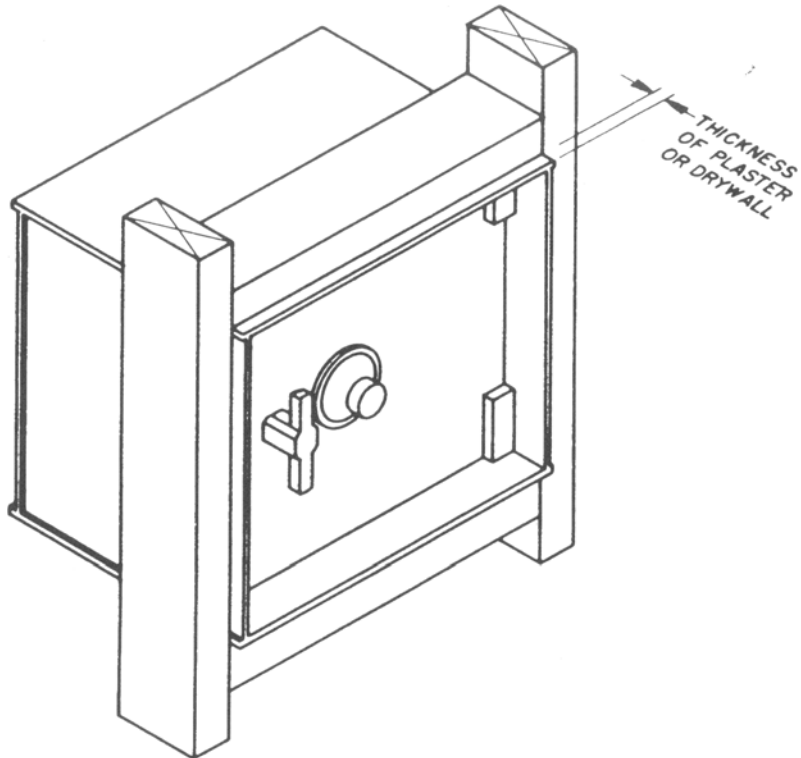


# Major™

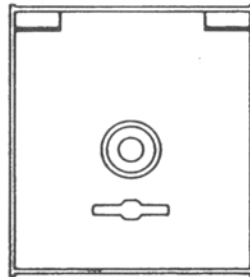
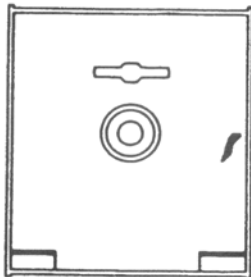


® AMERICAN SECURITY PRODUCTS COMPANY

## RECOMMENDED WALL INSTALLATION



THESE WALL INSTALLATIONS ARE NOT RECOMMENDED



NOTE: UNDER NO CIRCUMSTANCES should a hinged door floor safe be installed in a wall with the hinges at the top and the locking bolts at the bottom, or vice versa.



## INSTALLATION INSTRUCTIONS

**\*\*IMPORTANT: READ ALL INSTRUCTIONS COMPLETELY\*\***

### CAUTIONS:

- Before digging or cutting a hole in a floor or wall, check local codes, and make sure there are no gas, electrical, or water lines, in the area selected for the safe.
- Depending upon your geographical area, a high water table may exist and lead to water seeping into the safe. Floor safes ARE NOT watertight, and concrete is not an effective sealant. To prevent moisture from entering the safe body, it is recommended that a waterproof sealant, such as tar and/or a heavy plastic bag be used to cover the outside of the safe. Additional tips on sealing against water entry:
  - Before placing the safe in the hole or pouring any concrete, line the hole with heavy gauge plastic as a moisture barrier.
  - Use a commercially available waterproofing additive in your concrete (Check with your concrete supplier). If unavailable, you can improve the performance of ordinary ready-mix by adding extra cement, and keeping the concrete mix as dry as possible.
- If the area in which the safe is to be installed is subject to high moisture conditions, i.e. garage, basement, etc., then the items stored inside the safe should be kept in a moisture resistant container. If safe is located where water may run in, raise the safe 1" or more above floor level. The concrete can be beveled off or left protruding as desired.
- ROUND LIFT-OUT DOOR models are designed for use in the floor and are NOT recommended for a horizontal application, i.e. in a wall, etc.
- RECTANGULAR HINGED DOOR floor safes equipped with gas cylinder door assist are designed to be installed in a floor. These models may also be installed in a wall ONLY IF the gas cylinder is removed. UNDER NO CIRCUMSTANCES should a hinged door floor safe be installed in a wall with the hinges at the top and the locking bolts at the bottom, or vice versa (See Page 4).
- IMPORTANT: Underwriters Laboratories requires that TL-15 and TL-30 safes that weigh less than 750 lbs. must be installed in the floor, in a cladding, or be anchored to the floor to maintain the rating.

### Materials Required:

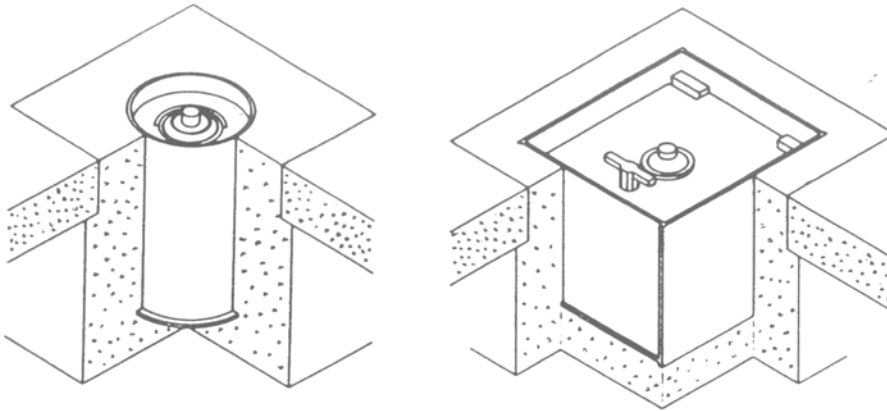
Redi-mix concrete (or use 1-1/2 parts cement, 2 parts sand and 4 parts 3/4 inch rock is a good mixture); Tar or other sealant; Heavy gauge plastic sheet or bag; tape; Waterproofing additive or additional cement for redi-mix concrete; Wire mesh and roofing paper if installing in a wood floor.

**FAILURE TO COMPLY WITH INSTALLATION INSTRUCTIONS COULD VOID WARRANTY!**

11925 PACIFIC AVE FONTANA, CA 92337

(909) 685-9680 TOLL FREE (800) 421-6142 (EXCEPT CA)

# CONCRETE FLOOR INSTALLATION



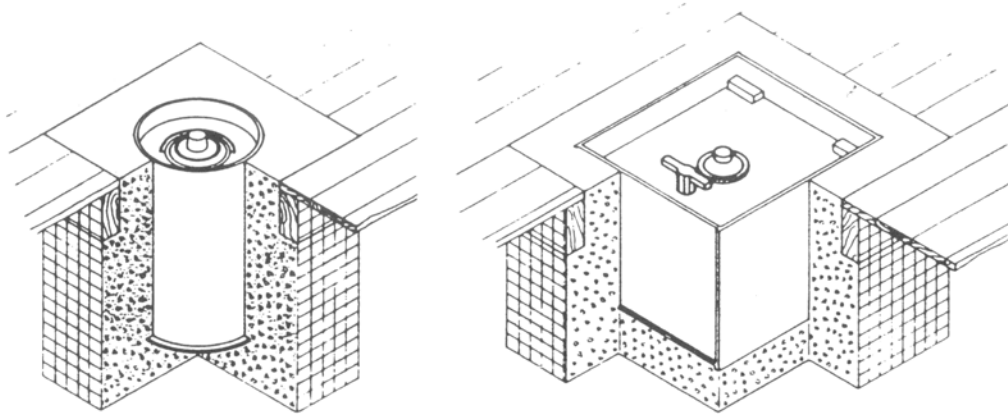
## **••INSTALLATION IN CONCRETE SLAB FLOOR••**

**ROUND LIFT-OUT DOOR MODELS:** Run the combination and remove the door before installation. Tape the dust cover in place to provide a seal for the body.

**RECTANGULAR HINGED DOOR MODELS:** Dial the combination and open the safe door (this step is to verify safe combination and operating procedure). Close the door and install the dust cover. Tape the dust cover in place to provide a protective seal for the body. Be sure to cover the four tabs punched into the cover to prevent leakage.

1. Make a hole in the slab at least 3" on each side of the safe. Use a hammer and chisel or electric tools and always wear protective safety goggles while working. Remember, the more concrete around the safe the more protection you will have.
2. Dig out a hole at least 3" deeper than the safe.
3. Line the hole with plastic if necessary because of high moisture conditions (See Pg 1). Pour enough concrete into the hole to allow the safe to have a base to sit on.
4. Place the (tarred and/or wrapped) safe in the hole and adjust it to the desired level.
5. Finish filling the hole with concrete and allow 48 hours drying time before using safe.
6. After the concrete has dried for 48 hours, trim away the plastic and remove any excess tape, concrete or tar.

# WOOD FLOOR INSTALLATION



## ••INSTALLATION IN WOOD FLOORS••

**ROUND LIFT-OUT DOOR MODELS:** Run the combination and remove the door before installation. Tape the dust cover in place to provide a seal for the body.

**RECTANGULAR HINGED DOOR MODELS:** Dial the combination and open the safe door (this step is to verify safe combination and operating procedure). Close the door and install the dust cover. Tape the dust cover in place to provide a protective seal for the body. Be sure to cover the four tabs punched into the cover to prevent leakage.

1. Saw a hole through the floor at least 3" on each side of the safe, or as wide as joists will allow.
2. Build a wooden form, or one of chicken wire and roofing paper, extending to the ground on first floor installations. Be sure to provide adequate support for the form as there will be significant pressure from the concrete. Also be sure the floor and any bracing is substantial enough to support the combined weight of the safe and the concrete.
3. Wrap the safe in a heavy plastic bag and/or tar all seams and set safe in partially filled form. This will help prevent any moisture from the concrete from seeping into the safe as it dries.
4. Adjust the safe to the desired level and finish filling hole with concrete. Allow 48 hours drying time before using safe.
5. After the concrete has dried for 48 hours, remove any wooden forms or bracing to prevent possible termite infestation.